

F10

Flow Control Assembly Pressure Compensated



Function

- Two port, restrictive type, pressure compensated, motorized flow control.
- System relief required (not provided).

Operation

- Maintains a constant flow rate regardless of pressure changes.

Operating Pressure

- 3000 PSI maximum

Flow Ranges

- **03** 0-3 gpm
- **05** 0-5 gpm
- **10** 0-10 gpm
- **15** 0-15 gpm
- Custom ranges are available upon request

Construction

- Cage, body and spool: Steel, exposed parts plated.
- Motor housing assembly: Anodized aluminum.
- Manifold: Anodized aluminum.

Seal Material

- Buna N and polyurethane standard
- Viton or EPR optional

Voltage Options

- 12 VDC
- 24 VDC

Current Draw

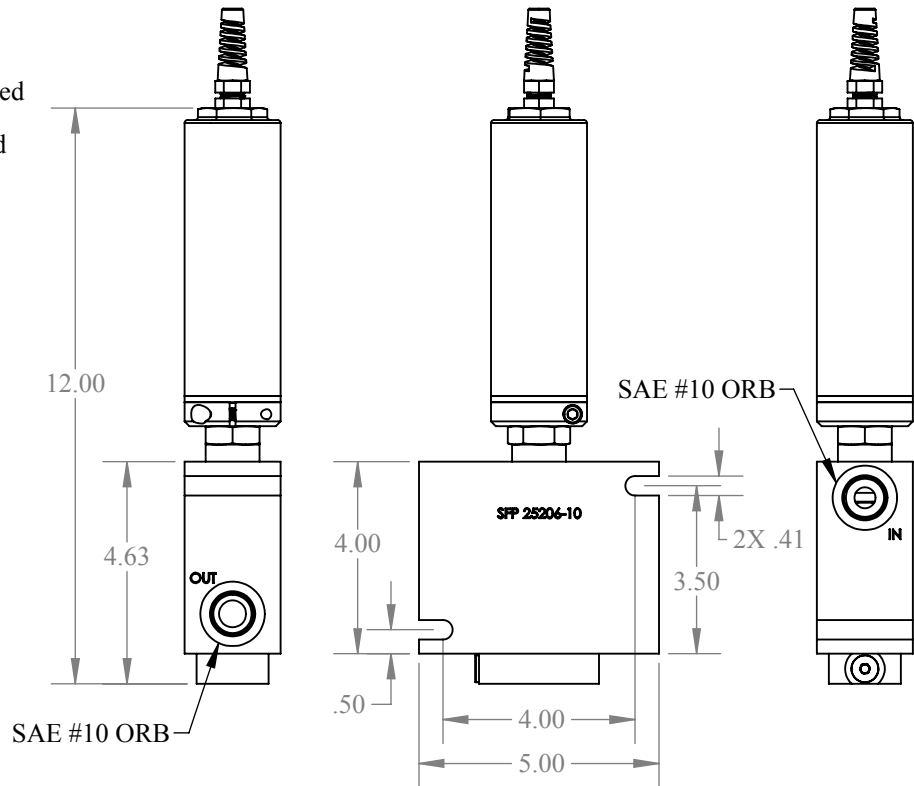
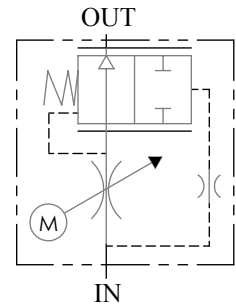
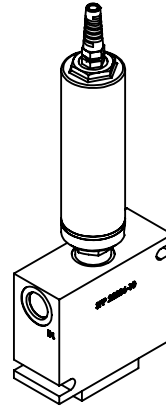
- (Only while adjusting)
- 0.8 amp at 12 VDC
 - 1.0 amp at 24 VDC

Temperature Rating

- -40 to 120°C

Package Weight

- 6.5 lbs.



F10 610

Flow Range

- 03** 0-3 gpm
- 05** 0-5 gpm
- 10** 0-10 gpm
- 15** 0-15 gpm

Operating Speed/Voltage

Select letter code from appendix page 1

Options

See appendix page 2 for available options

Manifold

2 port pressure compensated body with SAE-10 ORB ports