

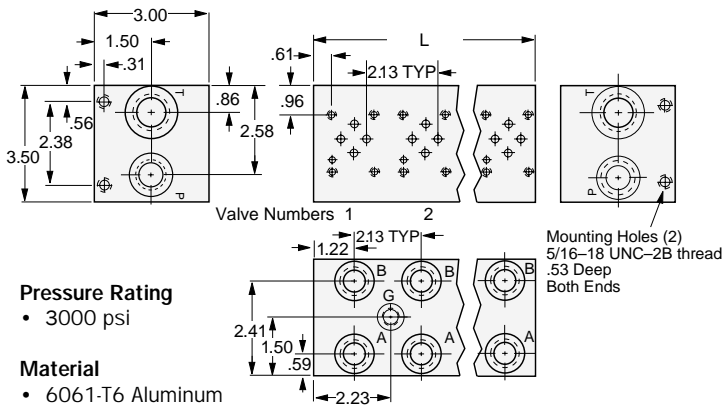
# D03 Manifolds

SOURCE SELLS SOLUTIONS.



## Parallel

2.13 Spacing



### Pressure Rating

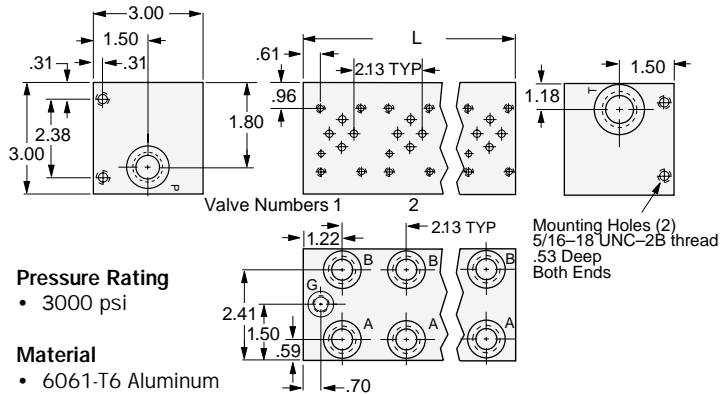
- 3000 psi

### Material

- 6061-T6 Aluminum

## Series

2.13 Spacing



### Pressure Rating

- 3000 psi

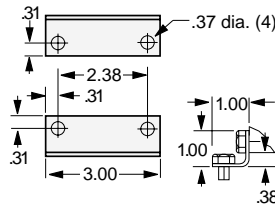
### Material

- 6061-T6 Aluminum

Optional load sense checks are available on A and B ports; please consult factory. To add optional relief cavity, add "R" after part number and specify cavity (generic 10-2 or Sun T-10A cavities available). Example: 10004R R=10-2.

## Optional Mounting Bracket Kit

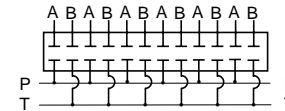
Part No. SFP10081



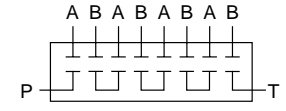
## PORTS

- T  
1 1/16-12 O-ring port (SAE -12)
- A & B  
3/4-16 O-ring port (SAE -8)
- G Gauge with plug  
7/16-20 O-ring port (SAE -4)
- P  
7/8-14 O-ring port (SAE -10)

## Parallel



## Series



TYPE	NO. OF VALVES	PART NUMBER	"L" INCHES	APPROX WT LBS.
Parallel	2	SFP10002	4.57	4.1
	3	SFP10003	6.70	6.1
	4	SFP10004	8.83	8.1
	5	SFP10005	10.96	10.1
	6	SFP10006	13.09	12.0
	7	SFP10007	15.22	14.0
	8	SFP10008	17.35	16.0
	9	SFP10009	19.48	18.0
	10	SFP10010	21.61	20.0
	Series	2	SFP10052	4.57
3		SFP10053	6.70	5.2
4		SFP10054	8.83	6.9
5		SFP10055	10.96	10.0
6		SFP10056	13.09	12.0

# D03 Subplate

## Side Ported

Part Number SFP10101

### Port Size

- 9/16-18 O-ring ports (4)  
(SAE -6)

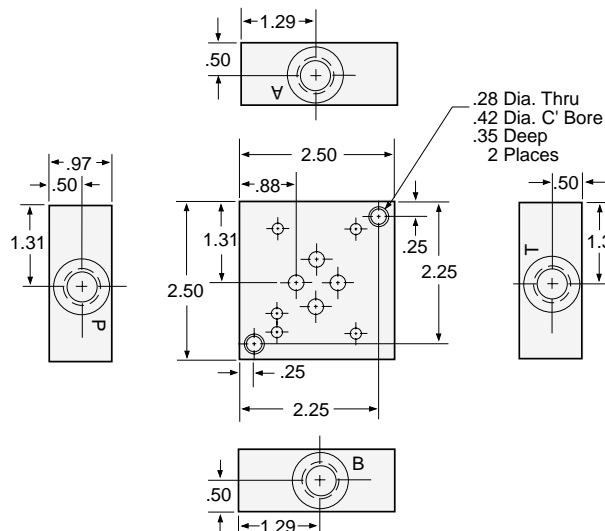
### Pressure Rating

- 3000 psi

### Material

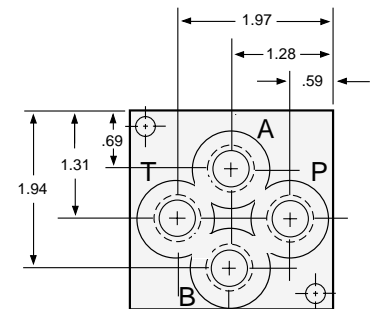
- 6061-T6 Aluminum

Two (2) 1/4-20 X 1 inch long socket head cap screws are furnished with each subplate (90012)



## Back Ported

Part Number SFP10102



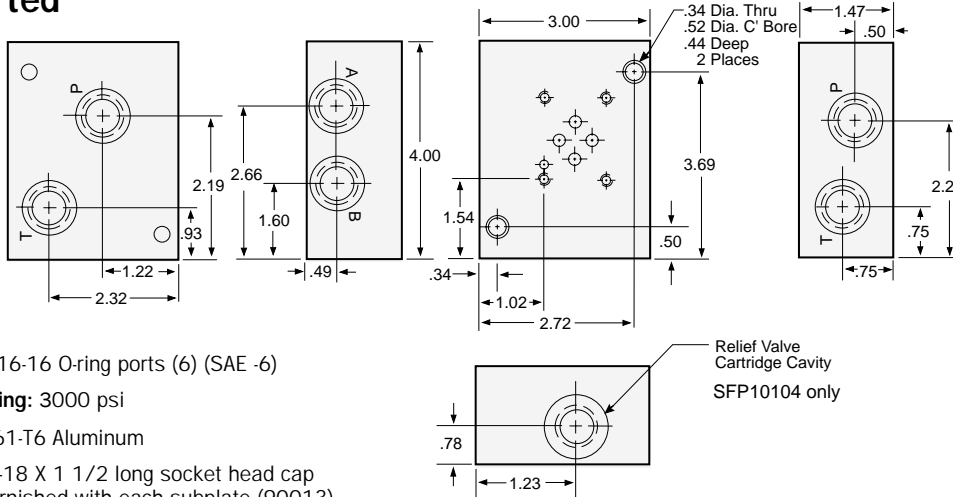
# D03 Subplate

SOURCE SELLS SOLUTIONS.



## Dual Ported

no relief  
Part Number  
SFP10103



Dual Ported  
with relief valve cavity  
Part Number SFP10104

The Relief Valve Cavity is machined to dimensions furnished by the following manufacturers:

Compact Controls	109
Delta	E Series
Fluid Controls	SC-316
Fluid Power Systems	10-2
HydraForce	VC-10-2
Modular Controls	C-10-2
Parker	C-10-2

Port Size: 9/16-16 O-ring ports (6) (SAE -6)

Pressure Rating: 3000 psi

Material: 6061-T6 Aluminum

Two (2) 5/16-18 X 1 1/2 long socket head cap screws are furnished with each subplate (90013)