

# H16

## Manual Flow Control Valve



### Function

- Variable orifice, restrictive type, hydraulic flow control, non-pressure compensated. Pressure balanced, bi-directional flow.
- 90 degree rotation.
- Can be used with most of our standard Motorized Flow Control manifold packages

### Operating Pressure

- 3000 psi maximum differential  
Consult factory for higher operating pressures

### Flow Ranges

Based on 100 PSI pressure differential with valve fully open.  
See pressure drop curves for additional application data

- 15 0-15 gpm (Equivalent to Ø.25" orifice at full open)
  - 20 0-20 gpm (Equivalent to Ø.35" orifice at full open)
  - 35 0-35 gpm (Equivalent to Ø.49" orifice at full open)
  - 50 0-50 gpm (Equivalent to Ø.56" orifice at full open)
- Custom ranges are available upon request

### Construction

- Cage, Body and Spool: Steel, exposed parts plated
- Motor housing assembly: Anodized aluminum
- Standard line bodies are aluminum  
Steel bodies are available upon request

### Seal Material

- Buna N and polyurethane standard  
Viton or EPR optional

### Internal Leakage

- 5 cubic inch per minute per 1000 psi

### Temperature

- -40 to 120°C

### Cavity

- C 16-2 industry common cavity

### Valve Installation Torque

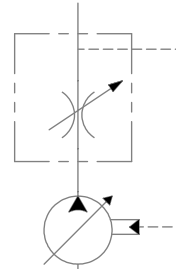
- 65 ft-lbs

### Cartridge Weight

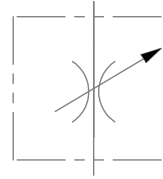
- H16 cartridge only 1.2 lbs
- H16 with aluminum body 4.1 lbs

### Seal kit

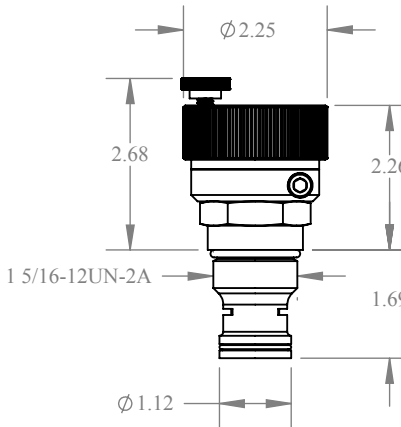
- SFP25249



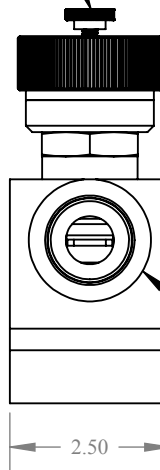
Example Schematic with 10183LS Line Body.



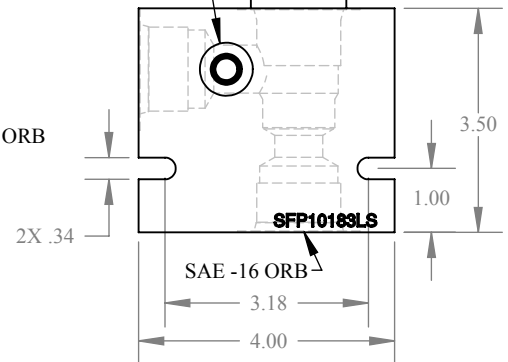
Hydraulic Symbol



POSITION LOCK SCREW



SAE -4 ORB



H16

### Flow range:

- 15 0-15 gpm
- 20 0-20 gpm
- 35 0-35 gpm
- 50 0-50 gpm

### Line bodies:

- 10183 SAE-12 ports
- 10183LS SAE-16 ports and SAE-4 LS port