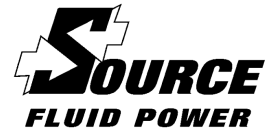


# HPC16

## Manual Flow Regulator Valve



### Function

- 3 port, variable orifice, restrictive or bypass type, pressure compensated flow control.
- 90 degree rotation.

### Operation

- Maintains a constant flow rate regardless of system pressure changes
- Bypass port can be plugged to create a 2 port restrictive type flow control
- Bypass flow can be used for a secondary function even when bypass pressure is higher than priority pressure

### Operating Pressure

- 3000 psi maximum

### Flow Ranges

- 15 0-15 gpm
- 25 0-25 gpm
- 45 0-45 gpm

### Construction

- Cage, Body and Spool: Steel, exposed parts plated
- Motor housing assembly: Anodized aluminum
- Standard line bodies are aluminum  
Steel bodies are available upon request

### Seal Material

- Buna N and polyurethane standard  
Viton or EPR optional

### Temperature

- -40 to 120°C

### Cavity

- C 16-3 industry common cavity

### Valve Installation Torque

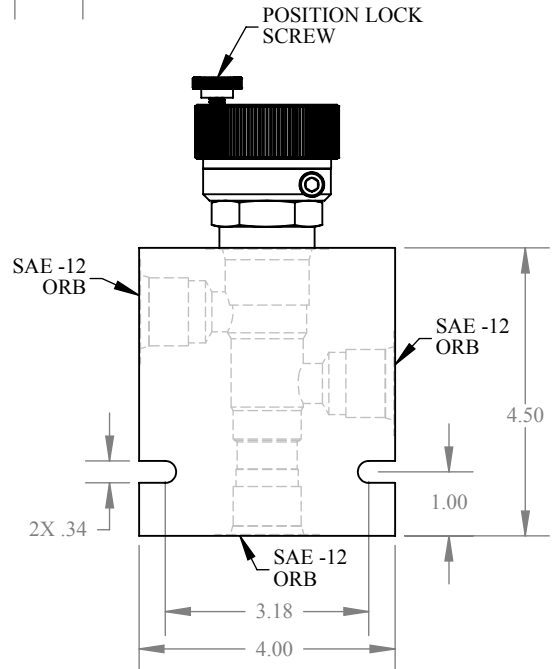
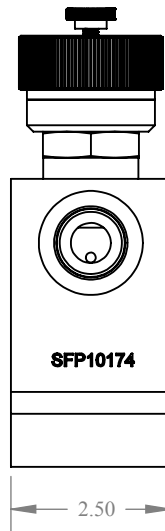
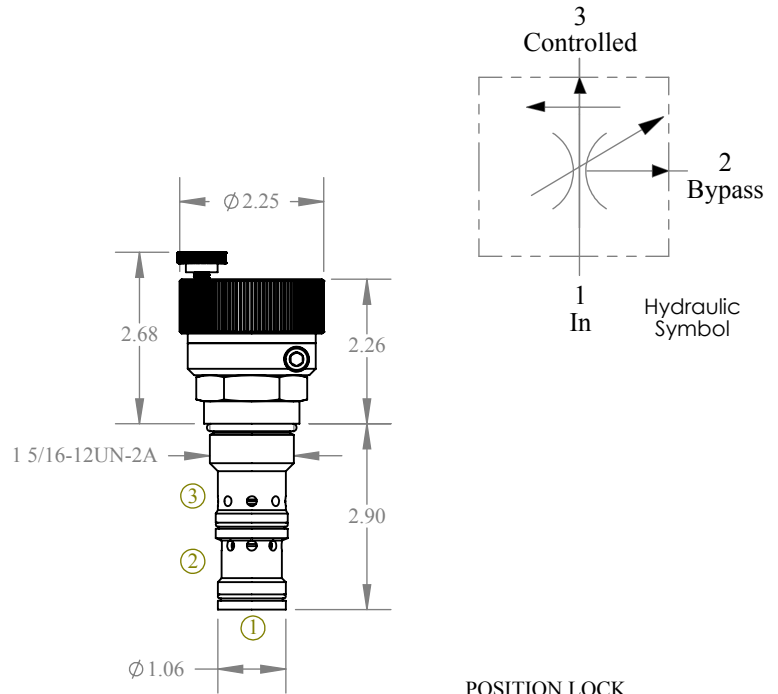
- 65 ft-lbs

### Cartridge Weight

- HPC16 cartridge only 1.4 lbs
- HPC16 with aluminum body 5.1 lbs

### Seal kit

- SFP25662



HPC16

**Flow range:**  
15 0-15 gpm  
25 0-25 gpm  
45 0-45 gpm

**Line bodies:**  
10174 SAE-12 ports