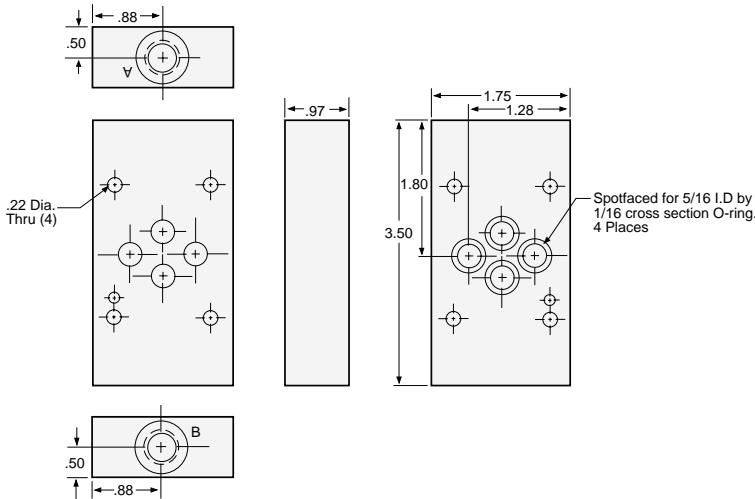
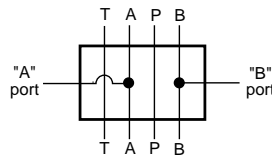


D03 Tapping Plates

SOURCE SELLS SOLUTIONS.



Part Number SFP10134



Port Size

- 9/16-18 O-ring ports (2) (SAE -6)

Pressure Rating

- 3000 psi

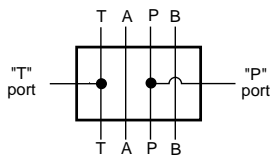
Material

- 6061-T6 Aluminum

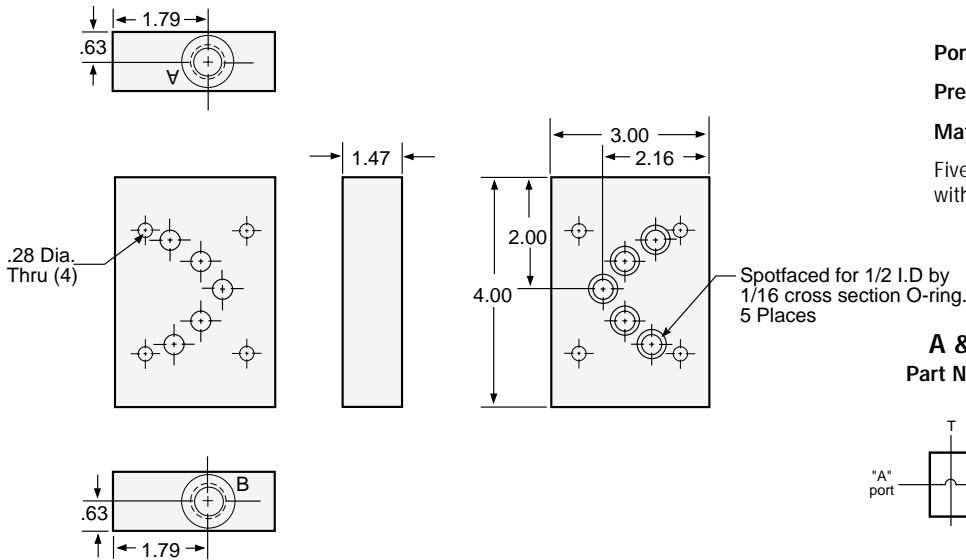
Items Furnished with Tapping Plate

- Four (4) Viton O-rings (90000) AS 568A-011
- One (1) Roll Pin (90006)

Part Number SFP10135



D05 Tapping Plates



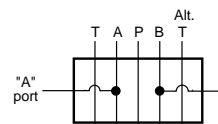
Port Size: 3/4-16 O-ring ports (2) (SAE -8)

Pressure Rating: 3000 psi

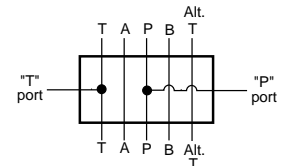
Material: 6061-T6 Aluminum

Five (5) Viton O-rings (90003) are furnished with each tapping plate - AS 568A-014

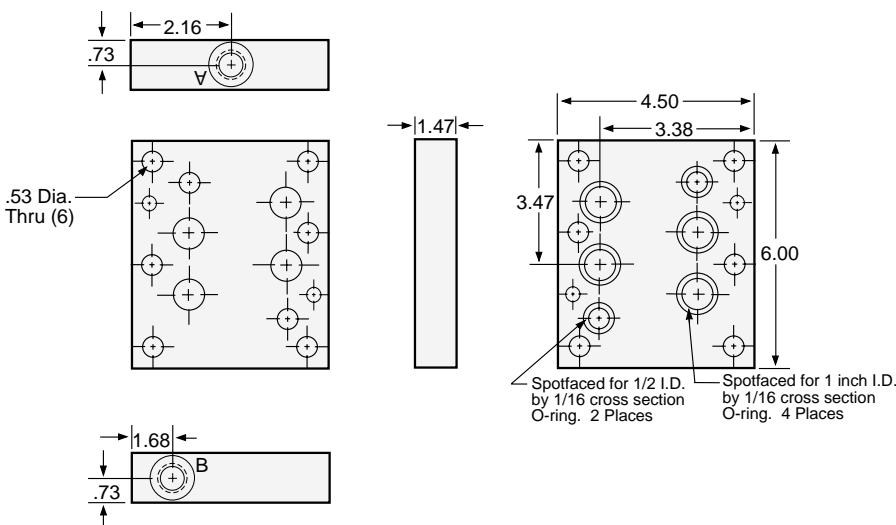
A & B Ports
Part No. SFP10136



P & T Ports
Part No. SFP10137



D08 Tapping Plates



Port Size: 3/4-16 O-ring ports (2) (SAE -8)

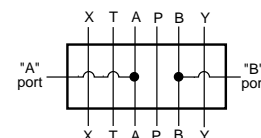
Pressure Rating: 3000 psi

Material: 6061-T6 Aluminum

Items Furnished with Tapping Plate:

- Two (2) small Viton O-rings (90003) AS 568A-014
- Four (4) large Viton O-rings (90005) AS 568A-022
- Two (2) Roll Pins (90007)

A & B Ports
Part No. SFP10138



P & T Ports
Part No. SFP10139

