

# SFP25859

PRESSURE RELEASE VALVE



**Function:**

- Manually-operated Pressure Release Valve. Turn fully clockwise to close. Turn 1/4 turn counterclockwise to release pressure from both ports 1 and 3, out to port 2

**Application:**

- Released trapped residual pressure in a hydraulic system. Ideal for releasing pressure trapped in hydraulic hoses to ease operation of quick-disconnects.

**Pressure:**

- 3000 PSI maximum (consult factory for higher operating pressures)

**Flow:**

- 1 GPM

**Cavity:**

- Hydraforce VC07-3, Delta Mini 3W

**Media Temperature:**

- 40° to 100° C

**Leakage:**

- 1 drop per minute @ 1000 psi

**Construction:**

- Steel
- Exposed parts plated

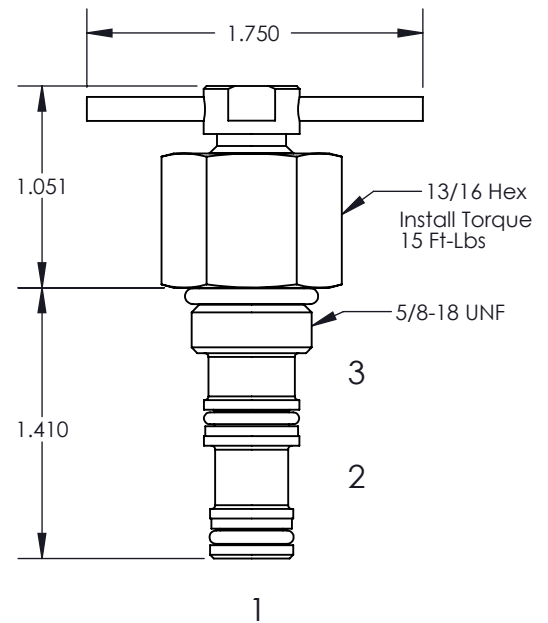
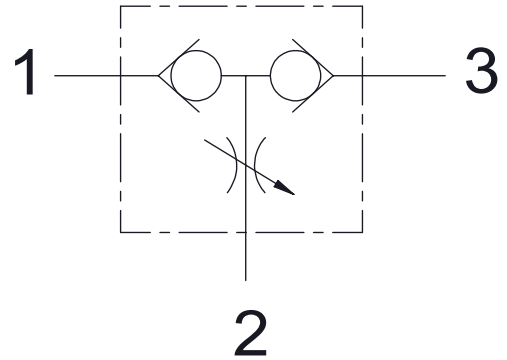
**Available Options:**

Consult Factory for details

- Line Bodies

**Seal Kit**

- SK7-3



**HOW TO ORDER:**

**SFP25859 - XXXXX**

Model \_\_\_\_\_  
Cartridge only

Line Body Options \_\_\_\_\_  
Consult Factory