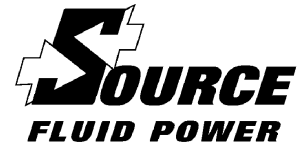


Technical Reference Wiring



Motorized control operation:

Our basic MFC only needs 12 or 24VDC and a switch to operate. See below schematic.

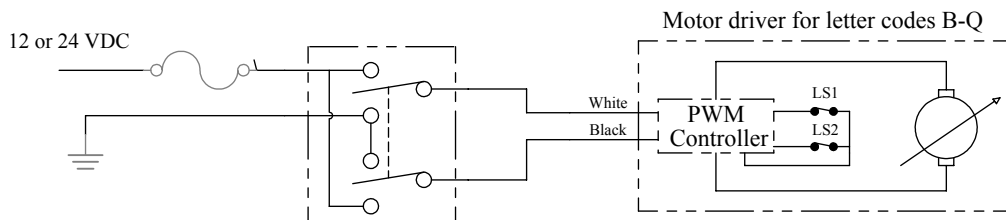
For Flow Controls:

Positive on black wire and ground on white wire opens the valve
 Positive on white wire and ground on black wire closes the valve

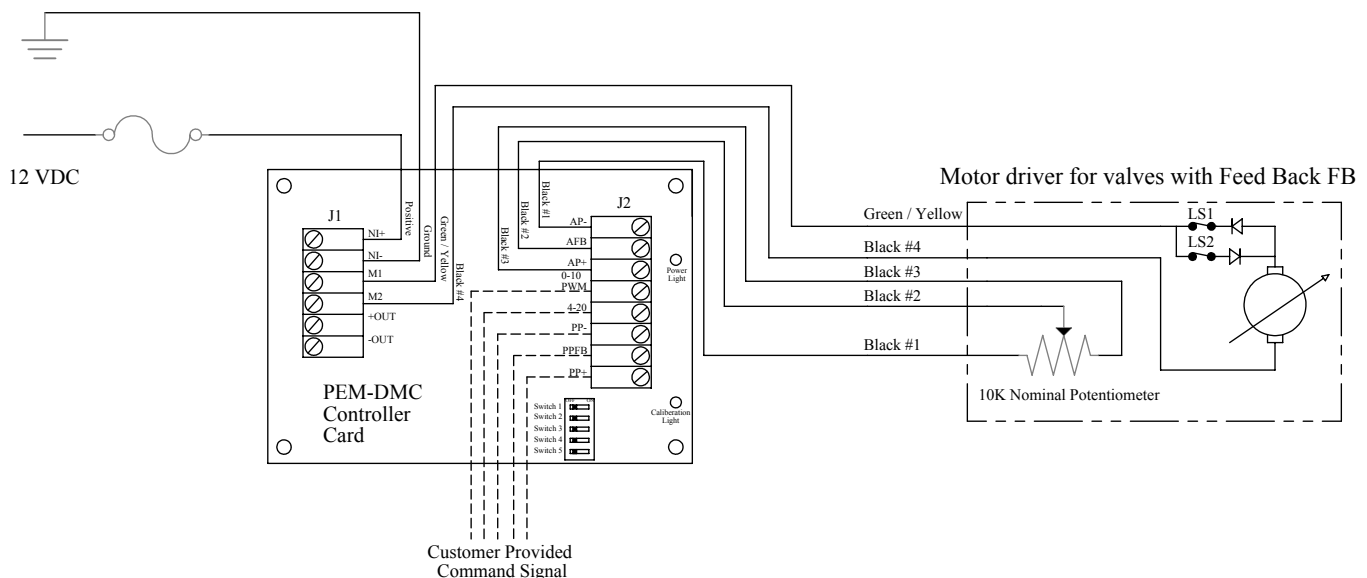
For Pressure Controls:

Positive on black and ground on white wire increases pressure
 Positive on white and ground on black wire decreases pressure

Power will disconnect at end of travel and respond only to reverse polarity.
 Disconnect power to hold valves position.



Wiring Diagram for Optional PEM-DMC Digital Motor Controller



See separate sheets for calibration procedures and specifications