

SFP26100

MANUAL VALVE PUSH-PULL
3-WAY, 2-POSITION

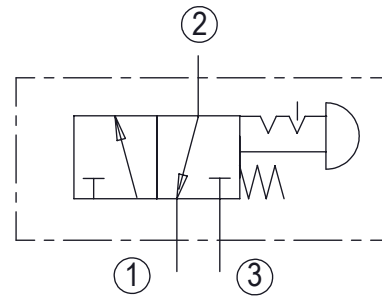


Function:

- Manually-operated directional valve
Push-pull detented 3-way 2-position

Application:

- Provides 3-way directional control in hydraulic systems. Panel mount design is ideal for bleed-down of gauge pressures or load-sense pressures on hydraulic test stands and power units



Pressure:

- 500 PSI maximum at ports 2 and 3
(consult factory for higher operating pressures)
- 50 psi at port 1

Flow:

- .5 GPM

Cavity:

- Common cavity C08-3

Media Temperature:

- 40° to 100° C

Internal Leakage:

- 1 cubic inch per minute @ 500 psi

Construction:

- Steel, stainless steel, aluminum
- Exposed parts plated

Available Options:

Consult Factory for details

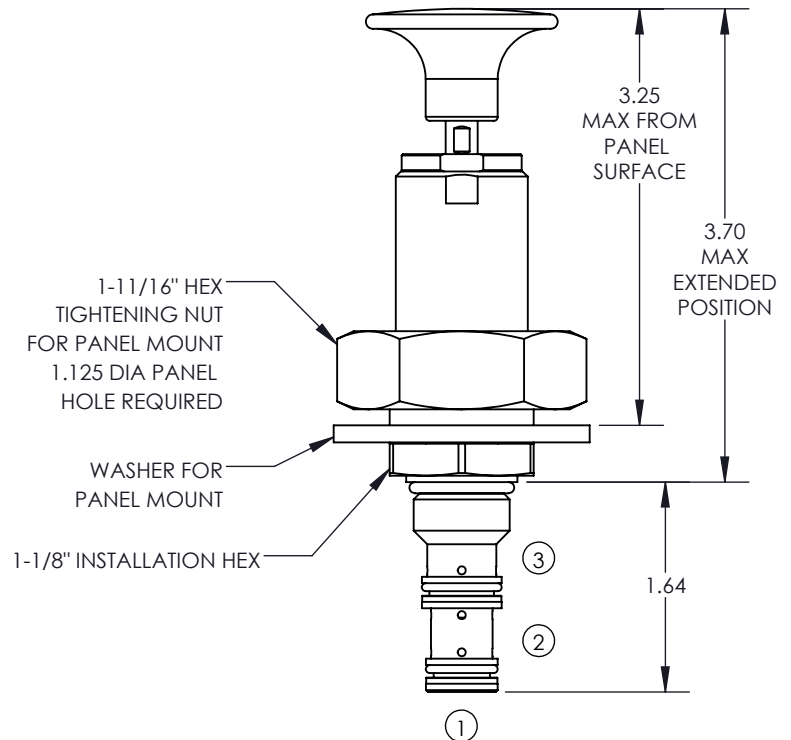
- Line Bodies

Seal Kit

- SK8-3

Cartridge Weight

- 0.3 lbs.



HOW TO ORDER:

SFP26100 - XXXXX

Model _____
Cartridge only

Line Body Options _____
Consult Factory